

OWNERS MANUAL

**Model No.
45-01001**



UTILITY CART

IMPORTANT:

Read Rules for
Safe Operation
and Instructions
Carefully

- Assembly
- Operation
- Maintenance
- Repair Parts



• 303 WEST RAYMOND • SULLIVAN, ILLINOIS 61951

RULES FOR SAFE OPERATION

Preventing accidents is the responsibility of every equipment operator. The following general safety precautions must be fully understood and followed by every operator.

1. Do not at anytime carry passengers in this cart. It is designed for carrying materials only and not intended to carry passengers.
2. Do not tow this utility cart on a public thoroughfare at any time. The operator is risking injury from passing vehicles. Most local ordinances prohibit operating a cart and tractor such as this on a public thoroughfare.
3. When towing cart do not drive too close to a creek or ditch and be alert for holes and other hazards. The above could cause you to lose control of the cart and tractor.
4. Be careful on any grade (hill) and stay off of steep grades.
5. Maximum towing speed - 10 M. P. H.



LOOK FOR THIS SYMBOL TO POINT OUT IMPORTANT SAFETY PRECAUTIONS. IT MEANS --- ATTENTION. BECOME ALERT, YOUR SAFETY IS INVOLVED.

Your utility cart carton and inner pack parts bag contain parts as shown in the figure below. The hardware package contains parts shown in figure 1 on page 3. Identify all parts and layout as shown in figure below and figure 1.

6. Wheels (2)
7. Axle
8. Tailgate Reinforcement Bracket
9. Latch Stand Bracket

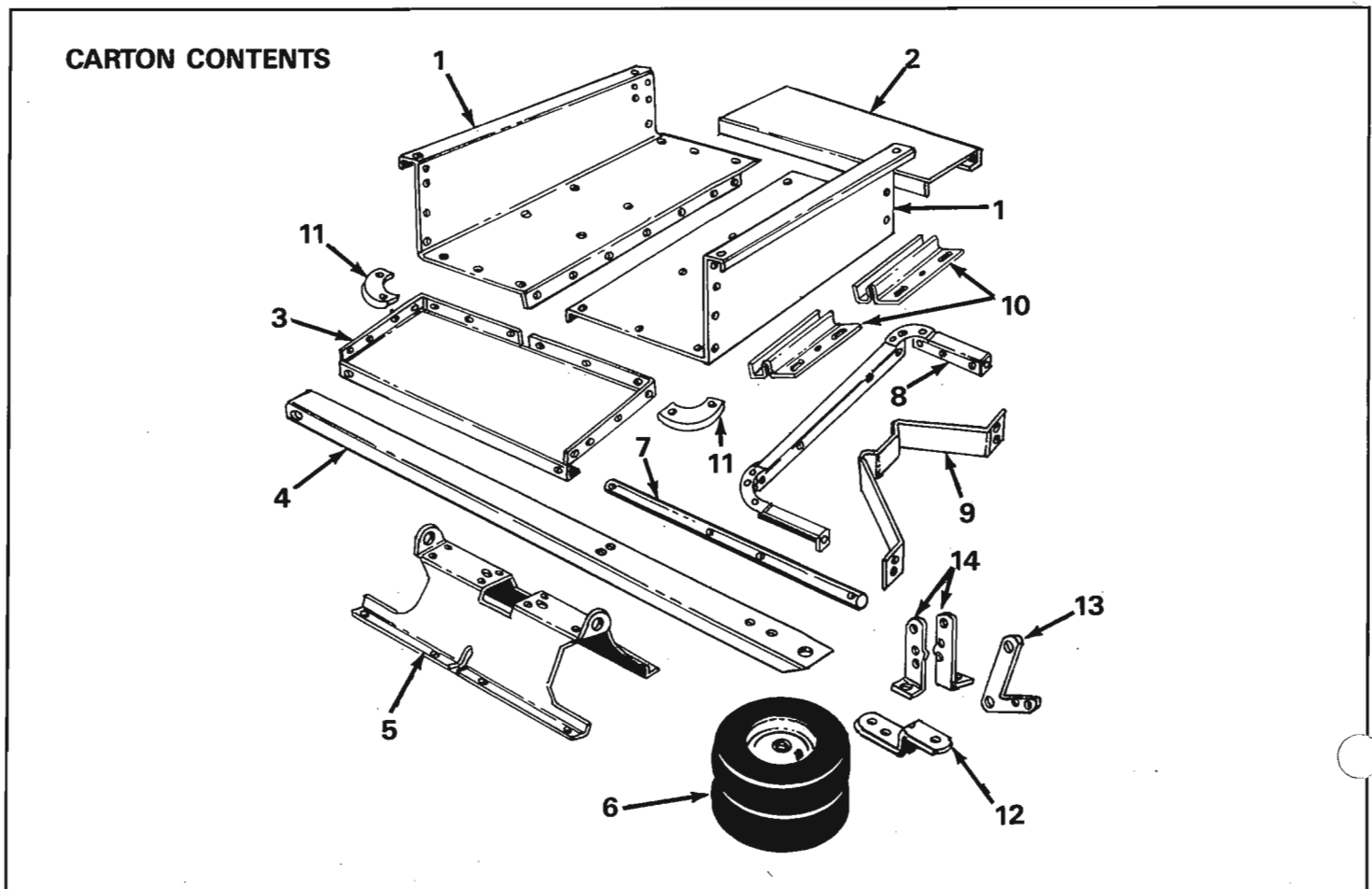
CARTON CONTENTS

LOOSE PARTS IN CARTON

1. Cart Body (2)
2. Tailgate
3. Front Panel
4. Draw Bar Tongue
5. Wheel Support

PARTS IN INNER PACK BAG

10. Tailgate Guides (2)
11. Corner Caps (2)
12. Hitch Bracket
13. Latch Lock
14. Latch Mount Bracket (2)
15. Hardware Package (not shown)



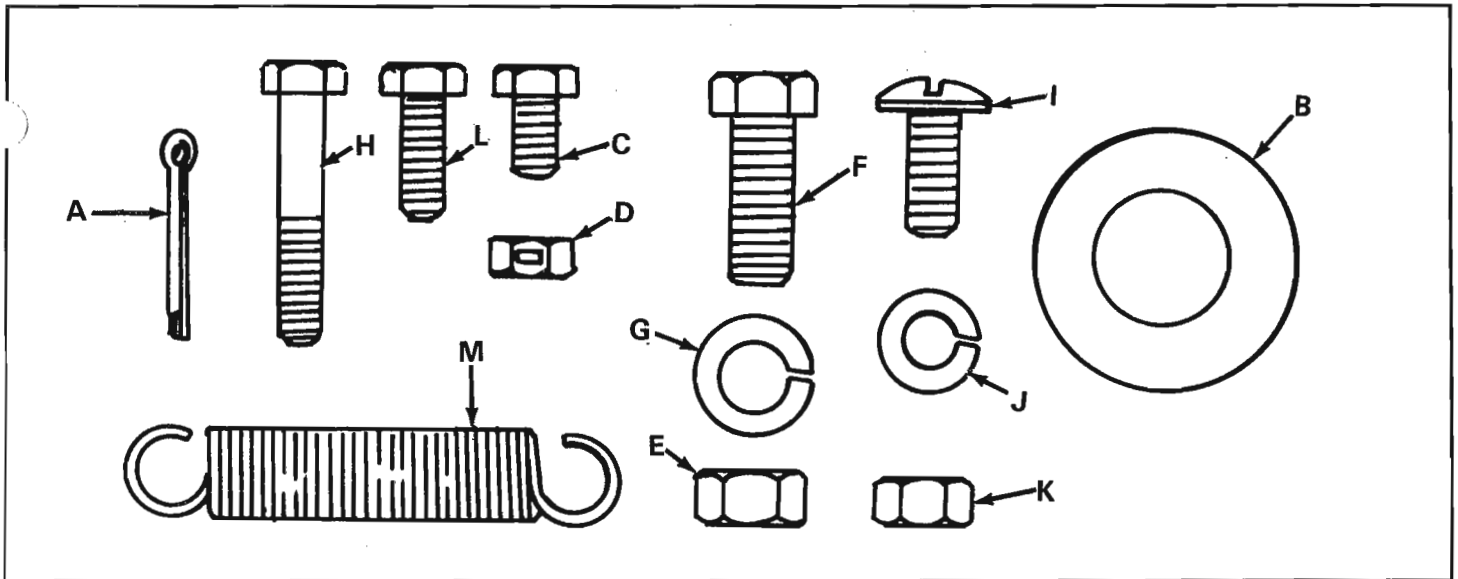


FIGURE 1 (FULL SIZE HARDWARE CHART)

KEY	QTY	DESCRIPTION	KEY	QTY	DESCRIPTION
A	2	Cotter Pin 1/8" x 1-1/4" Long	H	2	Hex Head Bolt 1/4-20 x 1-1/2" Long
B	4	Washer 1.59 OD x .78 ID	I	14	Slotted Truss Hd Bolt 5/16-18 x 3/4" Long
C	34	Hex Head Bolt 1/4-20 x 1/2" Long	J	14	Lock Washer 5/16"
D	37	Hex Lock Nut 1/4-20 Thread	K	14	Hex Nut 5/16-18 Thread
E	2	Hex Nut 3/8-16 Thread	L	1	Hex Head Bolt 1/4-20 x 3/4" Long
F	2	Hex Head Bolt 3/8-16 x 1" Long	M	1	Extension Spring
G	2	Lock Washer 3/8"			

ASSEMBLY INSTRUCTIONS

TOOLS REQUIRED FOR ASSEMBLY

- (1) Screwdriver
- (1) Pliers
- (2) 7/16" Open End or Box Wrenches
- (2) 1/2" Open End or Box Wrenches
- (2) 9/16" Open End or Box Wrenches

1. Remove the hardware pack and all loose parts from the carton. Be sure carton is empty before discarding.
2. Position cart body halves upright as shown in figure 2.

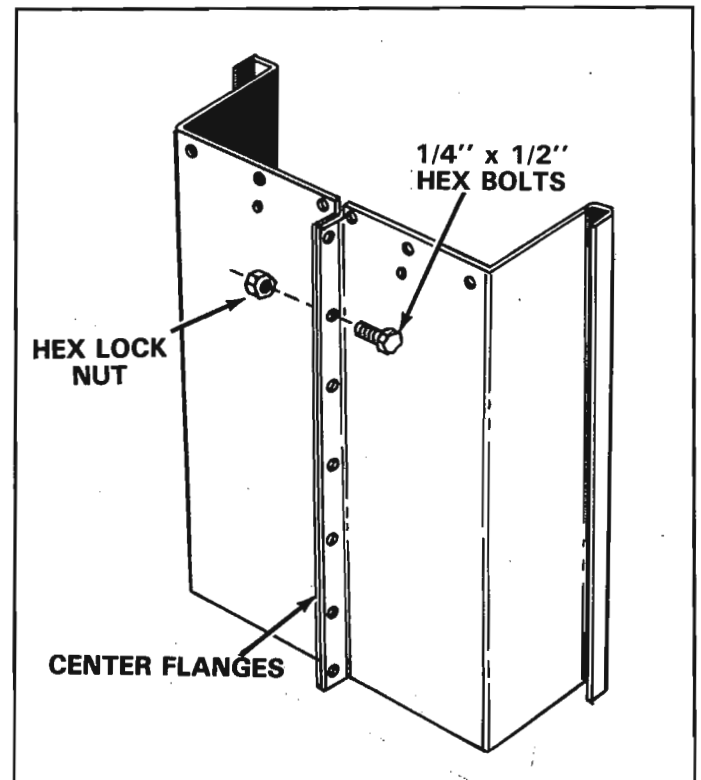


FIGURE 2

3. Start 1/4" x 1/2" hex bolts and 1/4" hex lock nuts through flanges, only make finger tight until all six (6) bolts are in place. See figure 2. **Tighten all six (6) bolts.**
4. Position the wheel support in place on the bottom of cart. See figure 3.
5. Assemble wheel support to cart with eight 5/16" x 3/4" slotted head screws, 5/16" lock washers and 5/16" hex nuts. See figure 3. Heads of screws go to the inside of cart and should be tightened at this time.

6. Position the tailgate reinforcement bracket over end of cart. See figure 5.
7. Start 5/16" x 3/4" slotted screws through bottom of cart (heads of screws to the inside of cart) and reinforcement bracket. Secure finger tight with 5/16" hex nuts and 5/16" lock washers. See figure 4.
8. Position the tailgate guides so that the holes line up with reinforcement bracket and cart body. Refer to tailgate guide detail in figure 4.
9. Secure tailgate guides with six 1/4" x 1/2" hex bolts and 1/4" hex lock nuts. See figure 4. Tighten bolts assembled in steps 6, 7, and 8 at this time. Do not tighten others.

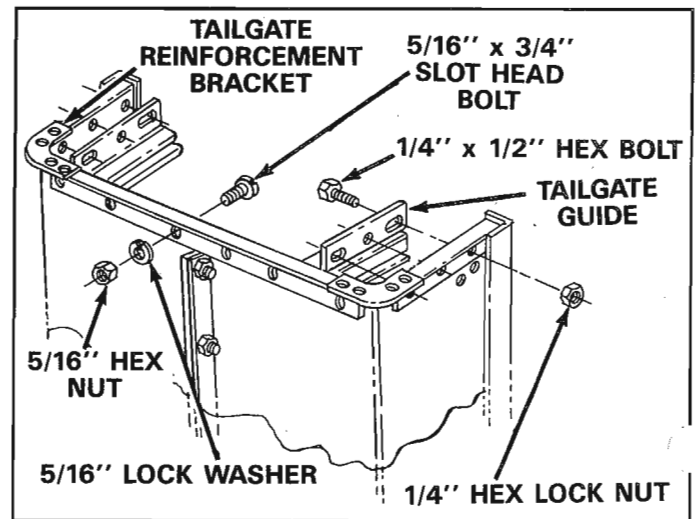


FIGURE 4

10. Reverse the cart position and stand up on tailgate reinforcement bracket and proceed with assembly steps 11 through 18. See figure 5.

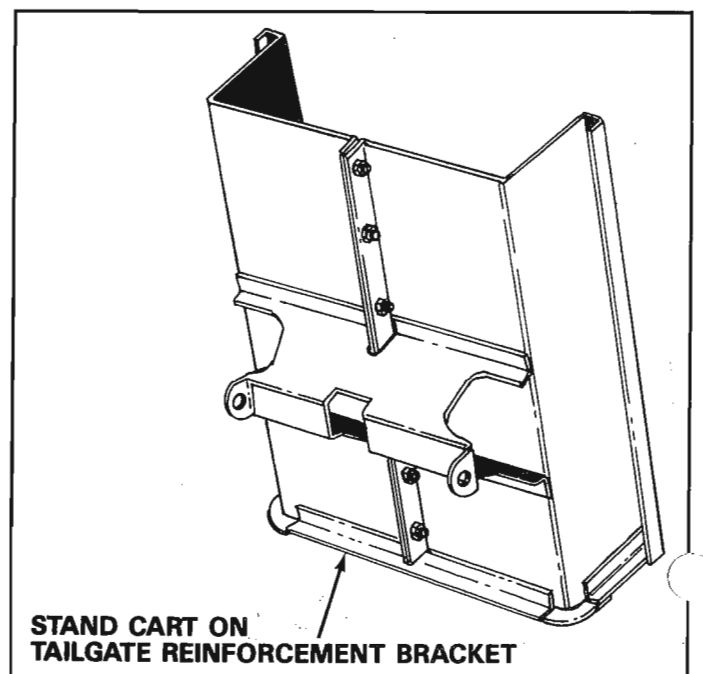


FIGURE 5

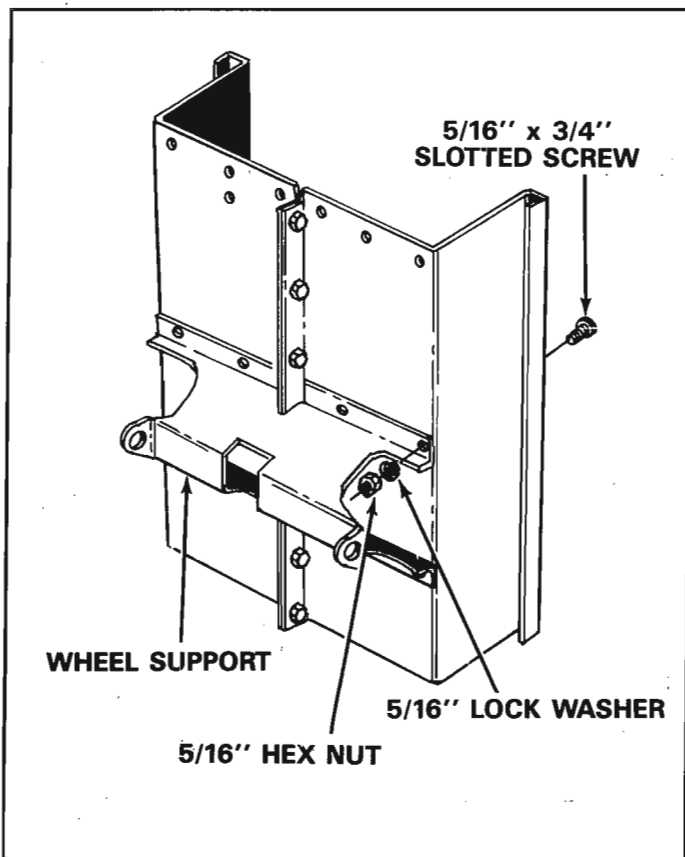


FIGURE 3

11. Assemble front panel to open end of cart body, using 1/4" x 1/2" hex bolts and 1/4" hex lock nuts. Bolt heads to inside of cart. Leave out (2) bolts for latch stand bracket. See figure 6.

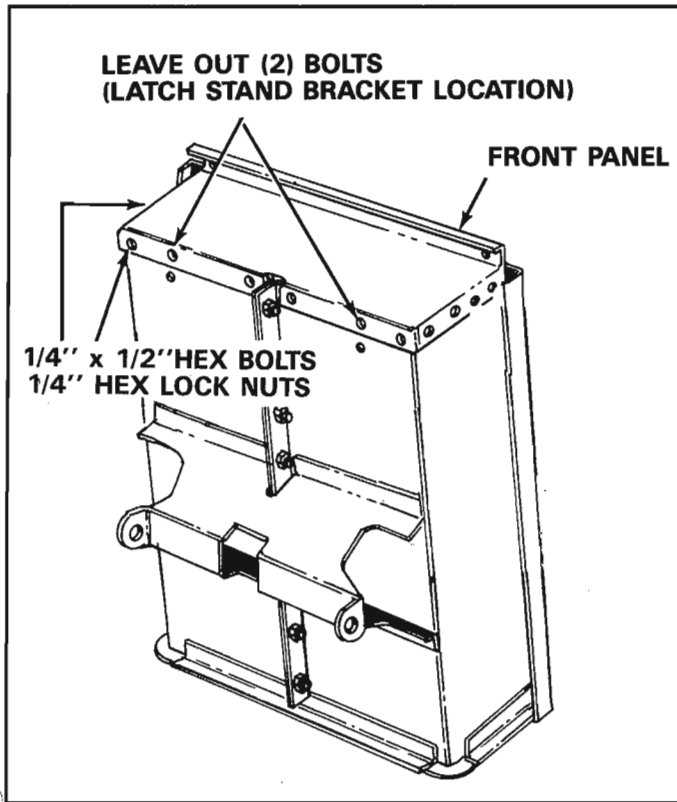


FIGURE 6

12. Assemble latch stand bracket using four 1/4" x 1/2" hex bolts and 1/4" hex lock nuts. See figure 7.

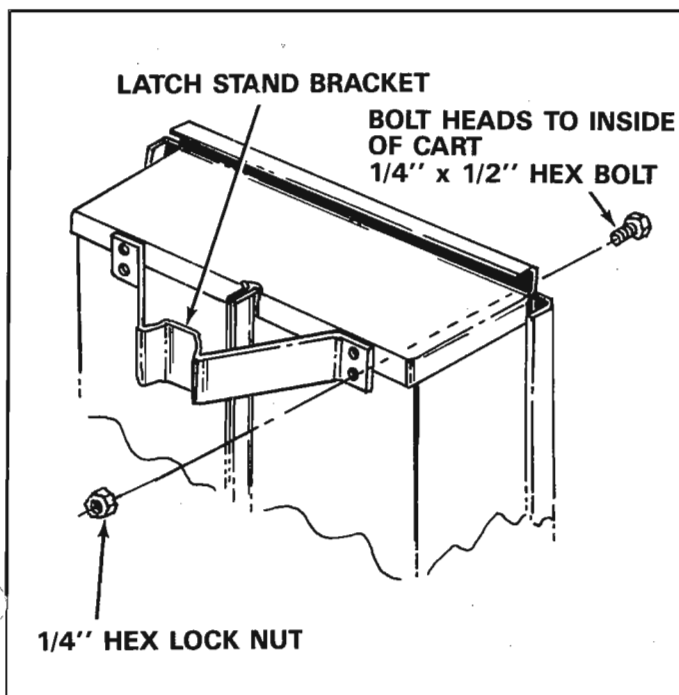


FIGURE 7

13. Assemble two front top corner caps and two bolts in top flanges through tailgate reinforcement bracket using 1/4" x 1/2" hex bolts and 1/4" hex lock nuts. See figure 8. Tighten all bolts.

14. Tighten all bolts assembled in steps 4 through 13, lower cart assembly to rest on top flanges, with axle support up. See figure 12 on page 6.

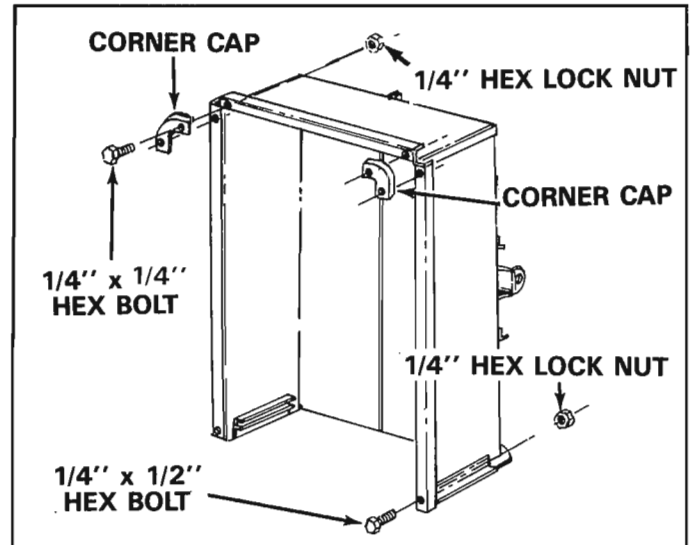


FIGURE 8

15. Assemble two latch mount brackets, latch lock and extension spring using one 1/4" x 3/4" hex bolt and 1/4" hex lock nut. See figure 9. Do not tighten 1/4" lock nut, latch lock must pivot freely.

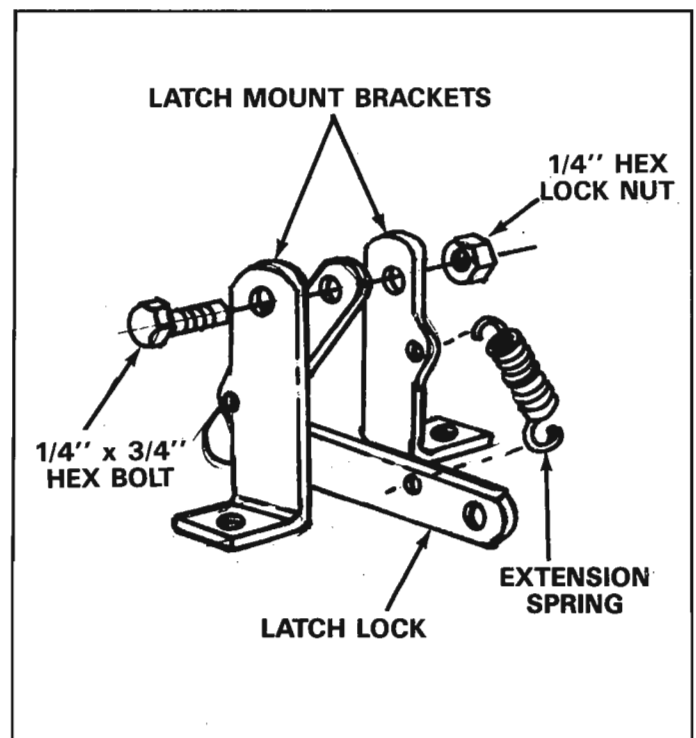


FIGURE 9

16. Assemble latch lock subassembly to drawbar tongue using 1/4" x 1/2" long hex bolt and 1/4" hex lock nuts. See figure 10.

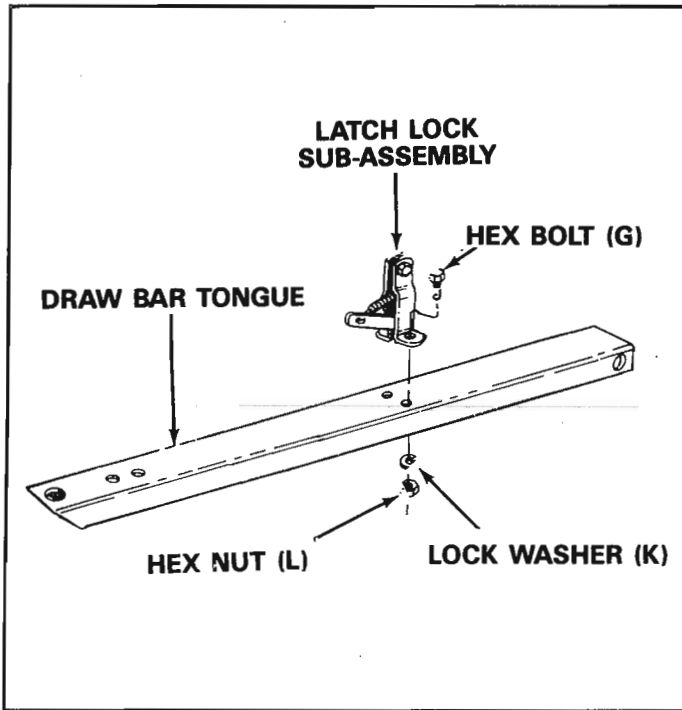


FIGURE 10

18. Assemble axle and draw bar tongue to wheel support keeping open side of tongue facing up, make sure that latch lock snaps over latch stand. Secure axle to wheel support or axle brackets, using 1/4" x 1-1/2" long hex bolts and 1/4" hex lock nuts. See figure 12.

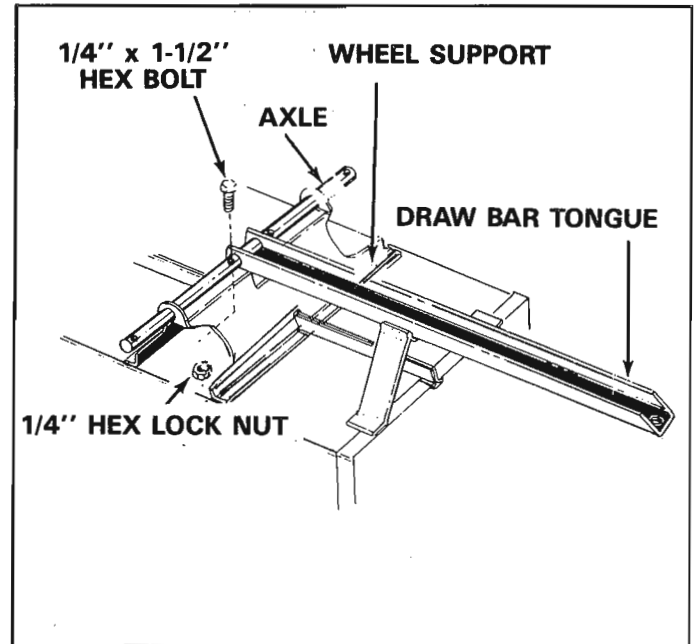


FIGURE 12

17. Assemble hitch bracket to drawbar tongue using 3/8" x 1" long hex bolts, 3/8" lock washers and 3/8" hex nuts. See figure 11.

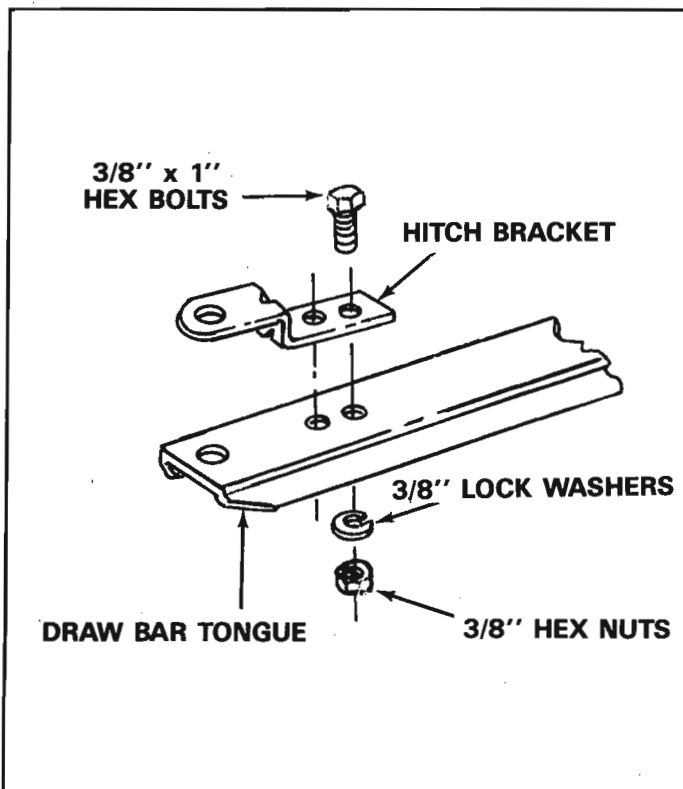


FIGURE 11

➔ NOTE

Position valve stem to outside when installing wheels on axle. See figure 13.

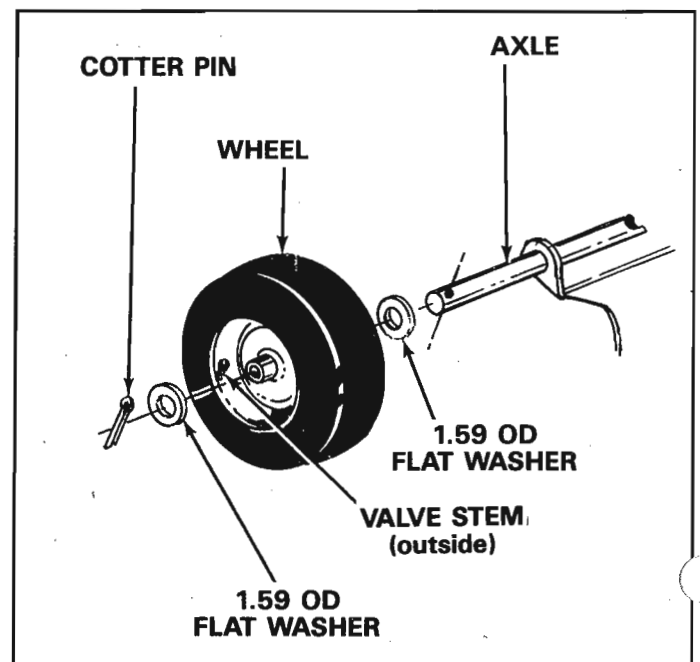


FIGURE 13

19. Assemble wheels as described in step 19, using flat washers and cotter pins. See figure 13.
20. Turn cart assembly over to rest on wheels. This completes the cart assembly. Be sure to read safety rules and operating instructions before using your new utility cart.

GENERAL SAFETY PRECAUTIONS

Preventing accidents is the responsibility of every equipment operator. The following general safety precautions must be fully understood and followed by every operator.

1. Do not at anytime carry passengers in this cart. It is designed for carrying materials only and not intended to carry passengers.
2. Do not tow this utility cart on a public thoroughfare at any time. The operator is risking injury from passing vehicles. Most local ordinances prohibit operating a cart and tractor such as this on a public thoroughfare.
3. When towing cart do not drive too close to a creek or ditch and be alert for holes and other hazards. The above could cause you to lose control of the cart and tractor.
4. Be careful on any grade (hill) and stay off of steep grades.
5. Maximum towing speed - 10 M.P.H.

NOTE

Weights limit-See specifications for each model. *One cubic foot of dirt weighs approximately 150 lbs.*
Do Not exceed cart weight capacity of 650 lbs.

OPERATION

To dump material from the trailer box, remove the tailgate by lifting it straight up and out from between the guides. Release the spring latch by pulling the latch handle forward, away from the trailer box.



CAUTION

To avoid possible injury, be sure that no one is near the trailer before releasing latch.

A rope may be attached to the spring latch handle for easy release by the operator while on the tractor seat. The trailer box will tilt backward to empty its contents. After unloading, pull the front of the box down toward the trailer tongue until the latch snaps in place. Replace tailgate if desired.

NOTE

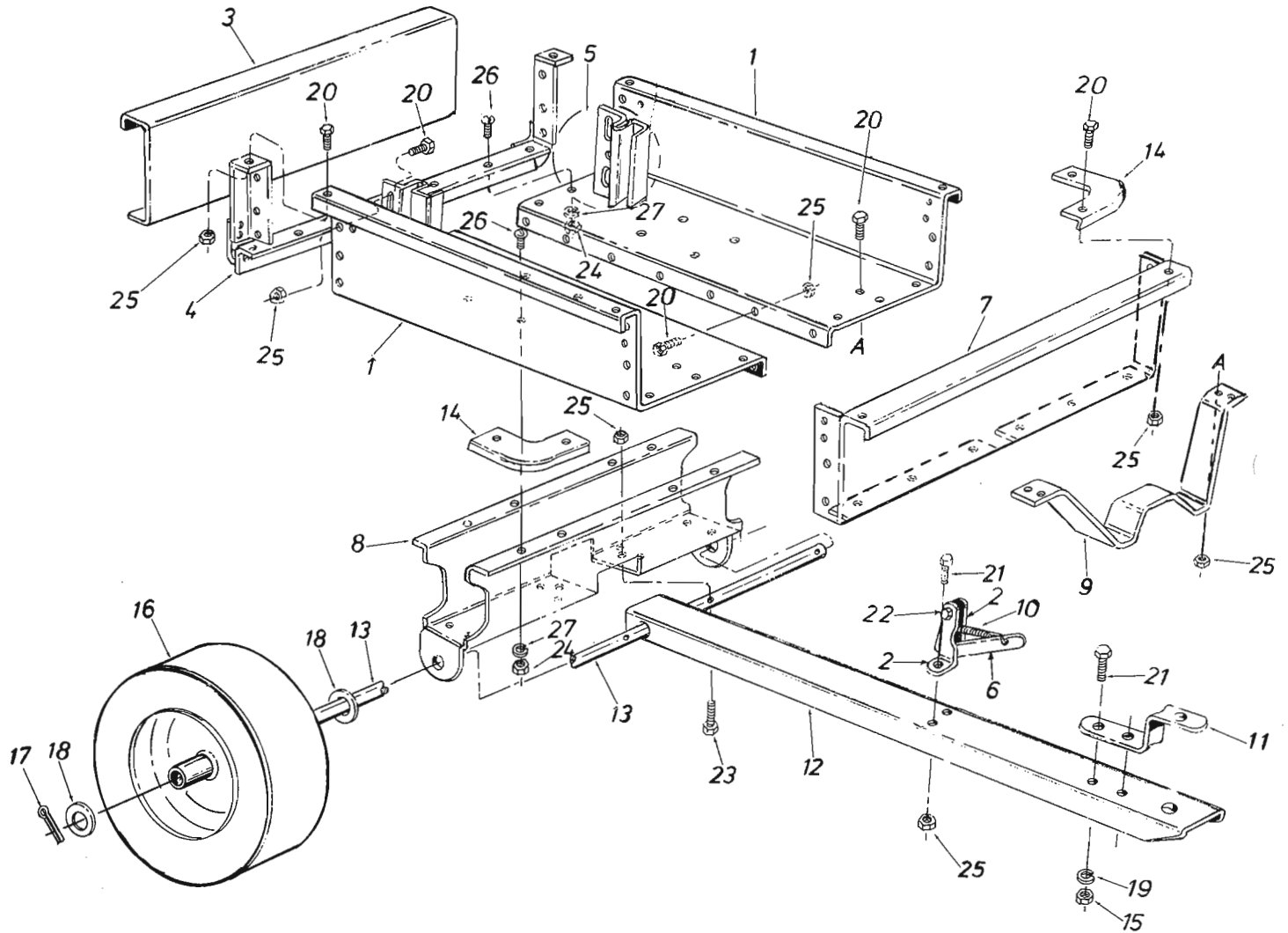
For best handling, do not load trailer too heavily behind center of axle.

MAINTENANCE

At the beginning of each season, lubricate the latch, latch pivot bolt, and the axle where the hitch tongue pivots, with a light machine oil.

1. Grease or oil wheel bearings occasionally. Use automotive wheel bearing type grease or 20 weight oil.
2. Recommended tire pressure is 12-14 Lbs.

REPAIR PARTS FOR: UTILITY CART MODEL No. 45-01001



PARTS LIST FOR UTILITY CART MODEL 45-01001

REF. NO.	PART NO.	QTY.	DESCRIPTION
1	23912	2	Cart Body
2	23470	2	Latch Mount Bracket
3	23502	1	Tailgate
4	62458	1	Tailgate Reinforcement Bracket
5	23767	2	Tailgate Guide
6	62020	1	Latch Lock
7	23492	1	Front Panel
8	23506	1	Wheel Support
9	23297	1	Latch Stand Bracket
10	43000	1	Extension Spring
11	23014	1	Hitch Bracket
12	23913	1	Draw Bar Tongue
13	23026	1	Axle 3/4" Diameter
14	23484	2	Front Corner Cap
15	43015	2	Hex Nut 3/8-16 Thread
16	43008	2	Wheel, 4.30 x 3.75
17	43010	2	Cotter Pin, 1/8" x 1-1/4" Long
18	43009	4	Washer, 1.59 OD x .78 ID
19	43003	2	Lock Washer 3/8"
20	43175	34	Hex Head Bolt 1/4-20 x 1/2" Long
21	43001	2	Hex Head Bolt 3/8-16 x 1" Long
22	43012	1	Hex Head Bolt 1/4-20 x 3/4" Long
23	43648	2	Hex Head Bolt 1/4-20 x 1-1/2" Long
24	43083	14	Hex Nut 5/15-18 Thread
25	43013	37	Hex Lock Nut 1/4-20 Thread
26	43814	14	Slotted Truss Head Bolt 5/16-18 x 3/4" Long
27	43086	14	Lock Washer 5/16"
	45154	1	Owners Manual

For Agri Fab Discount Parts Call 606-678-9623 or 606-561-4983

For Agri Fab Discount Parts Call 606-678-9623 or 606-561-4983

For Agri Fab Discount Parts Call 606-678-9623 or 606-561-4983

REPAIR PARTS

303 West Raymond Street
Sullivan, Illinois 61951
(217) 728-8388

www.mymowerparts.com